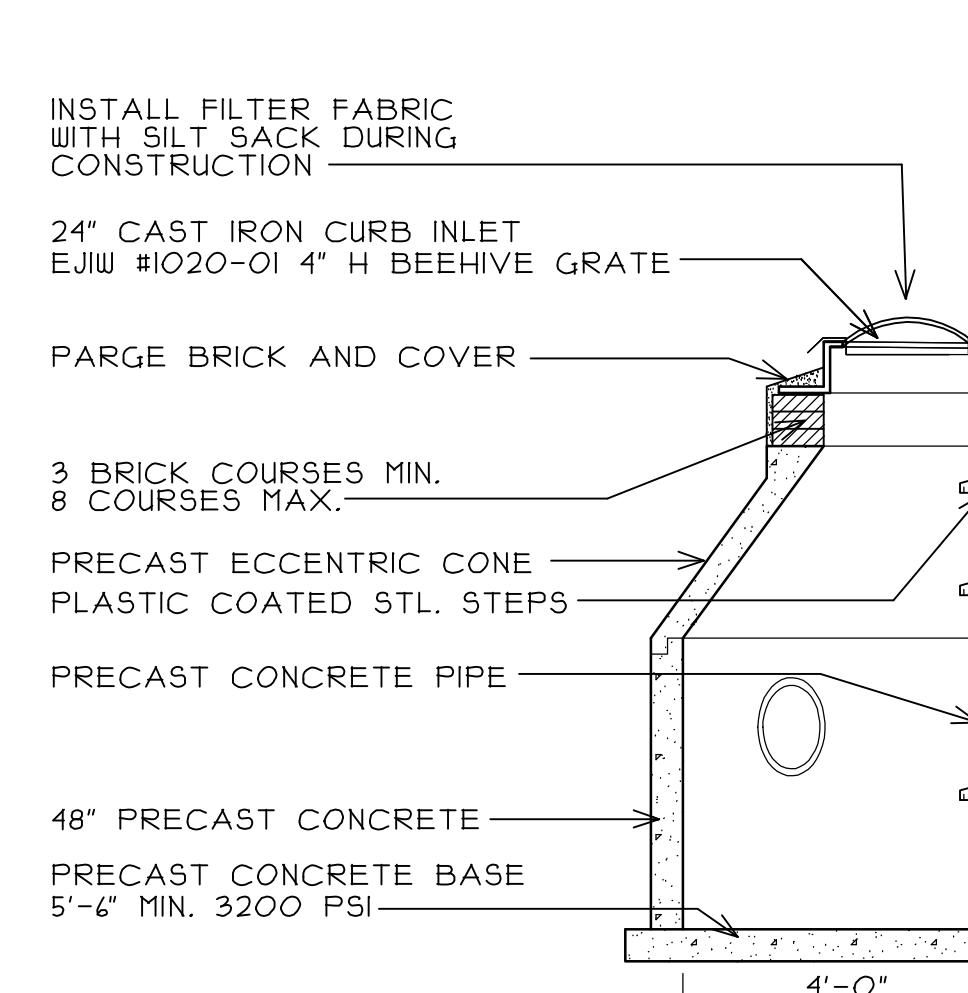
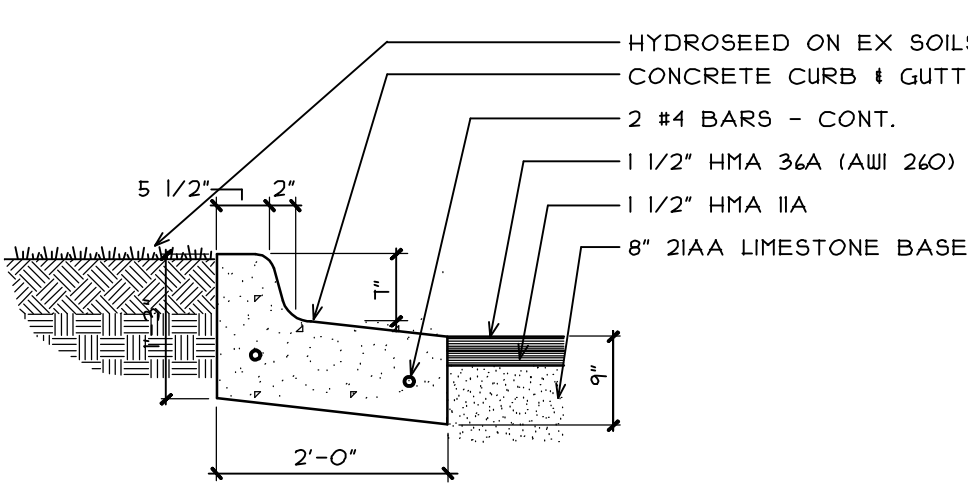
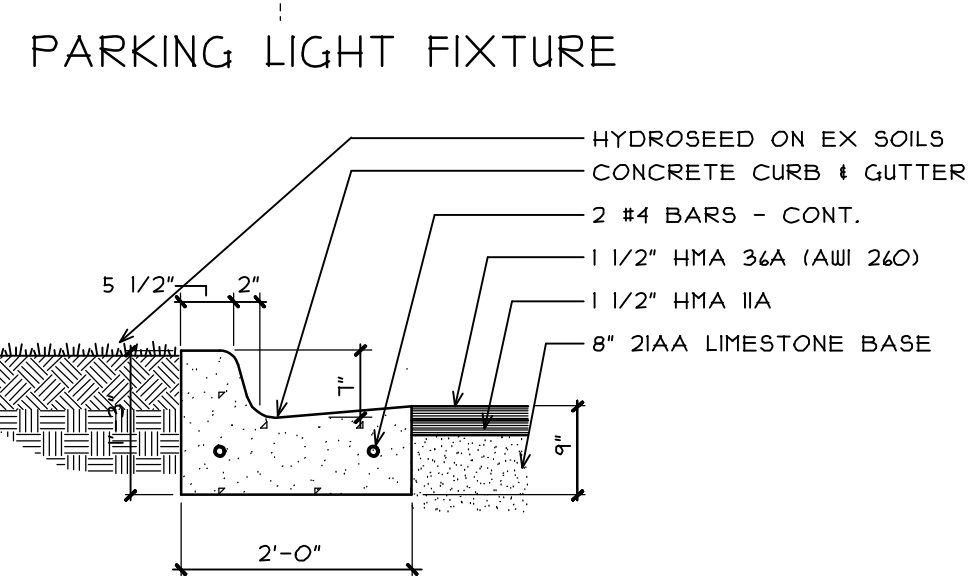
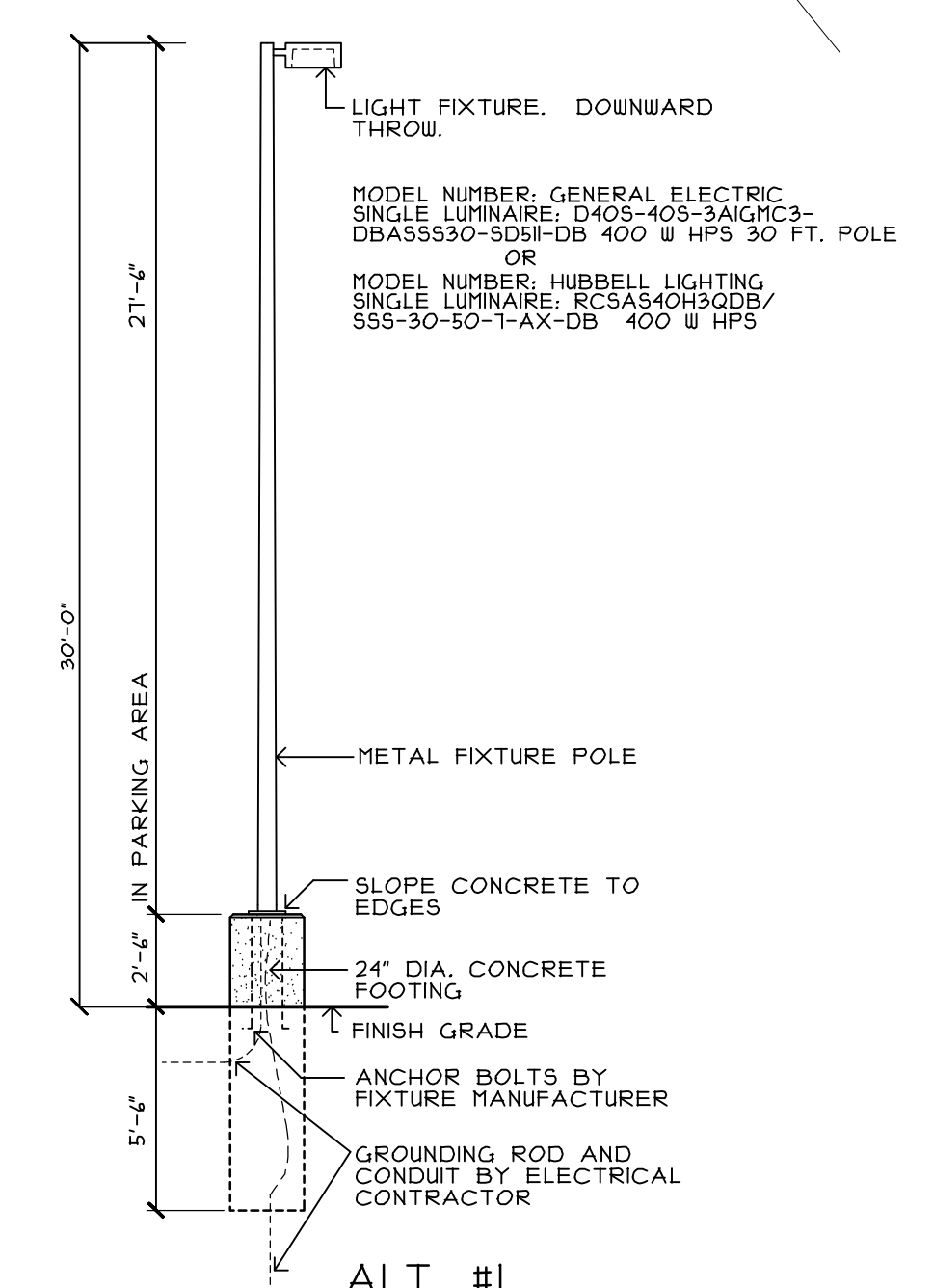
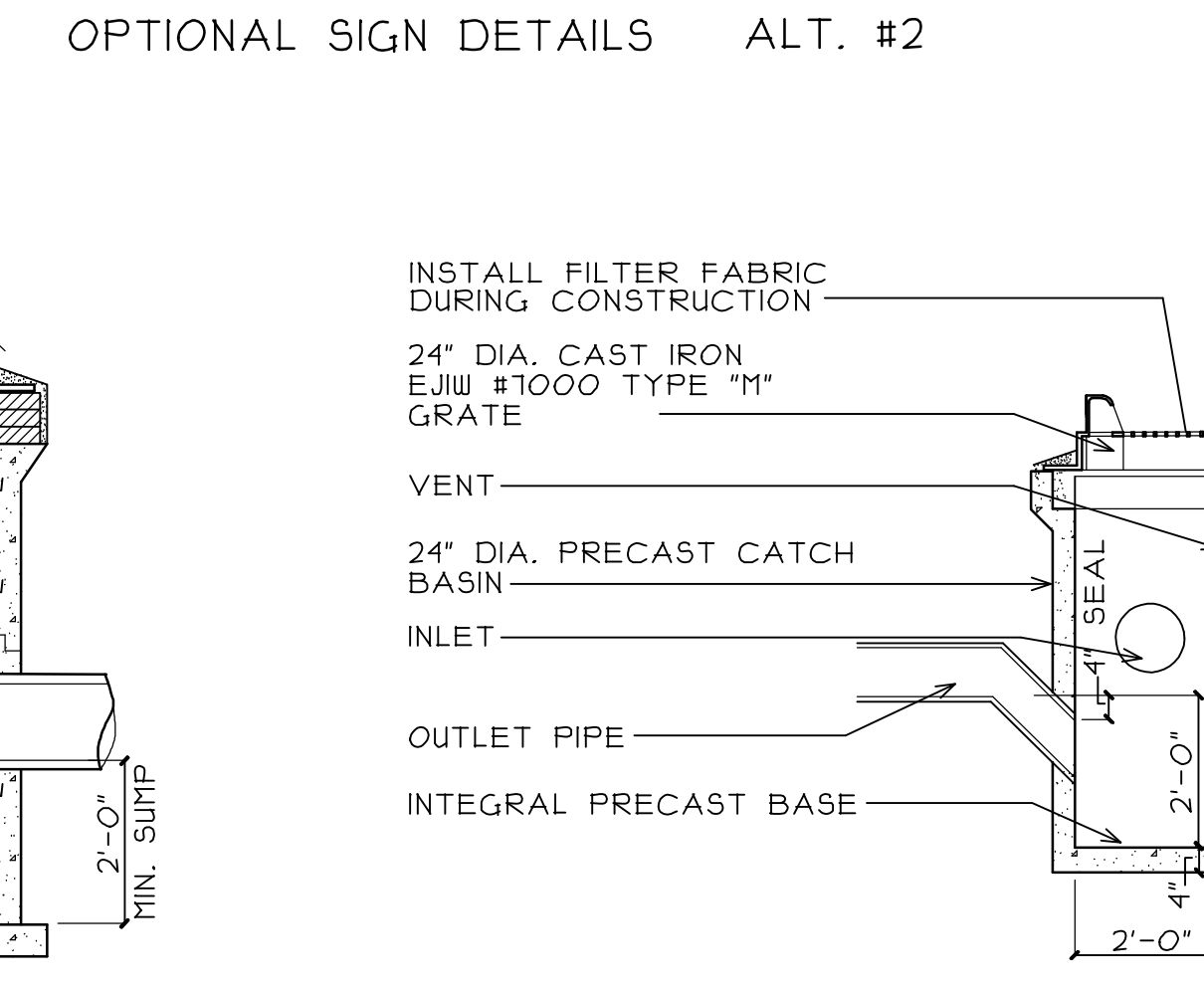
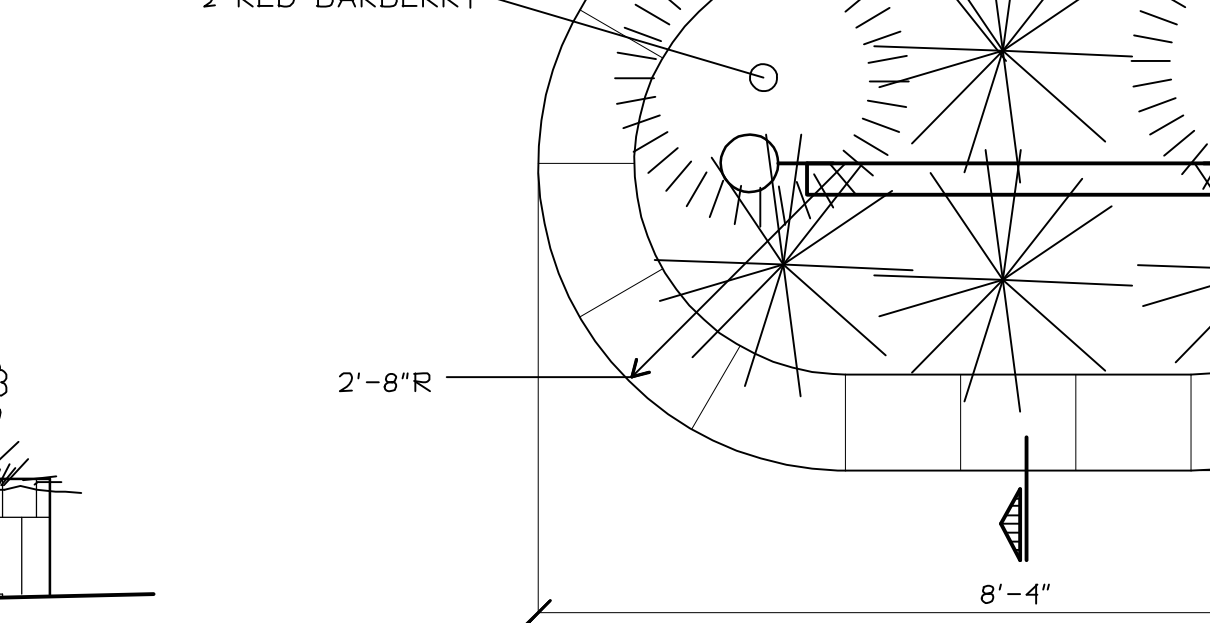
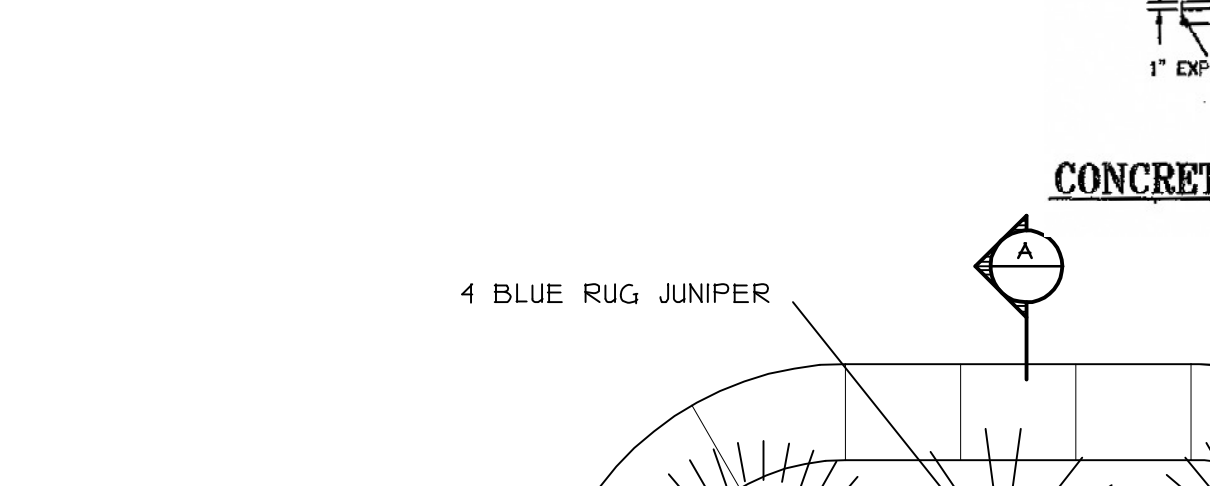
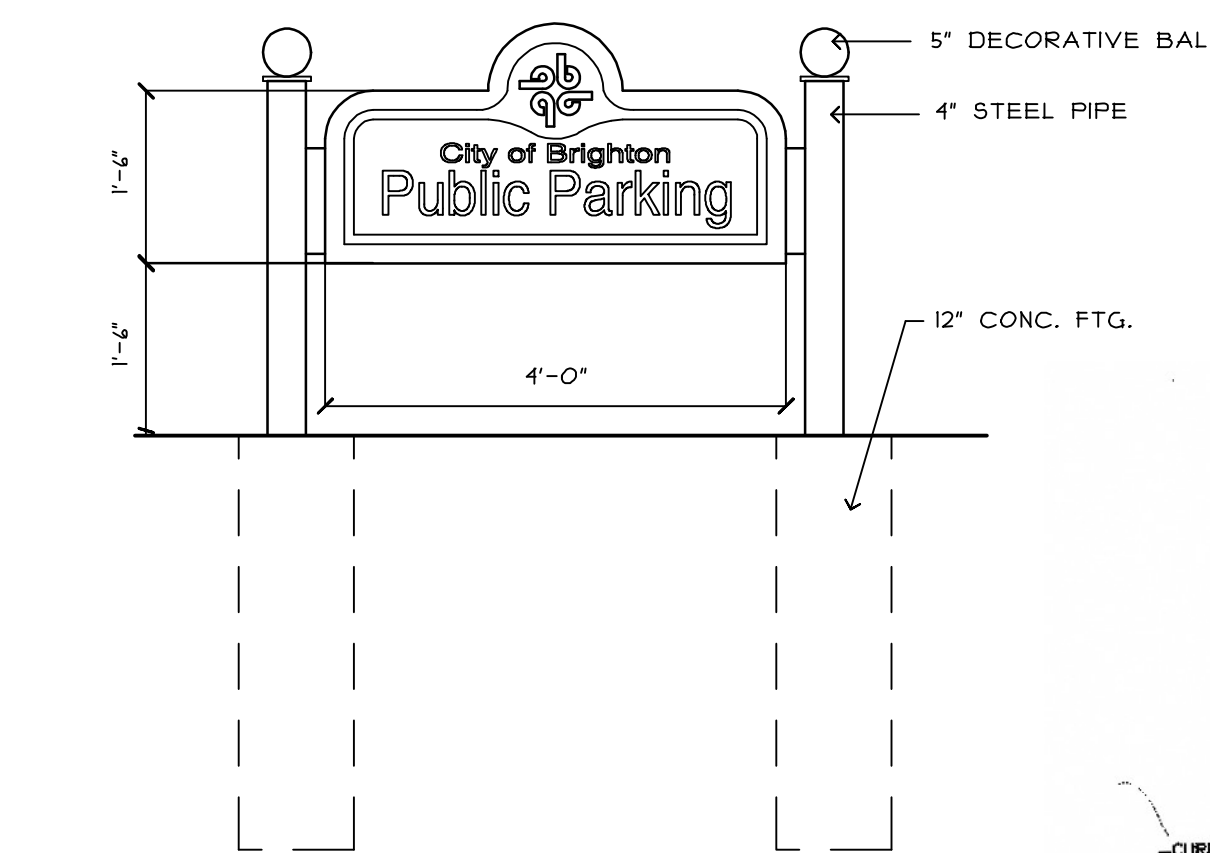
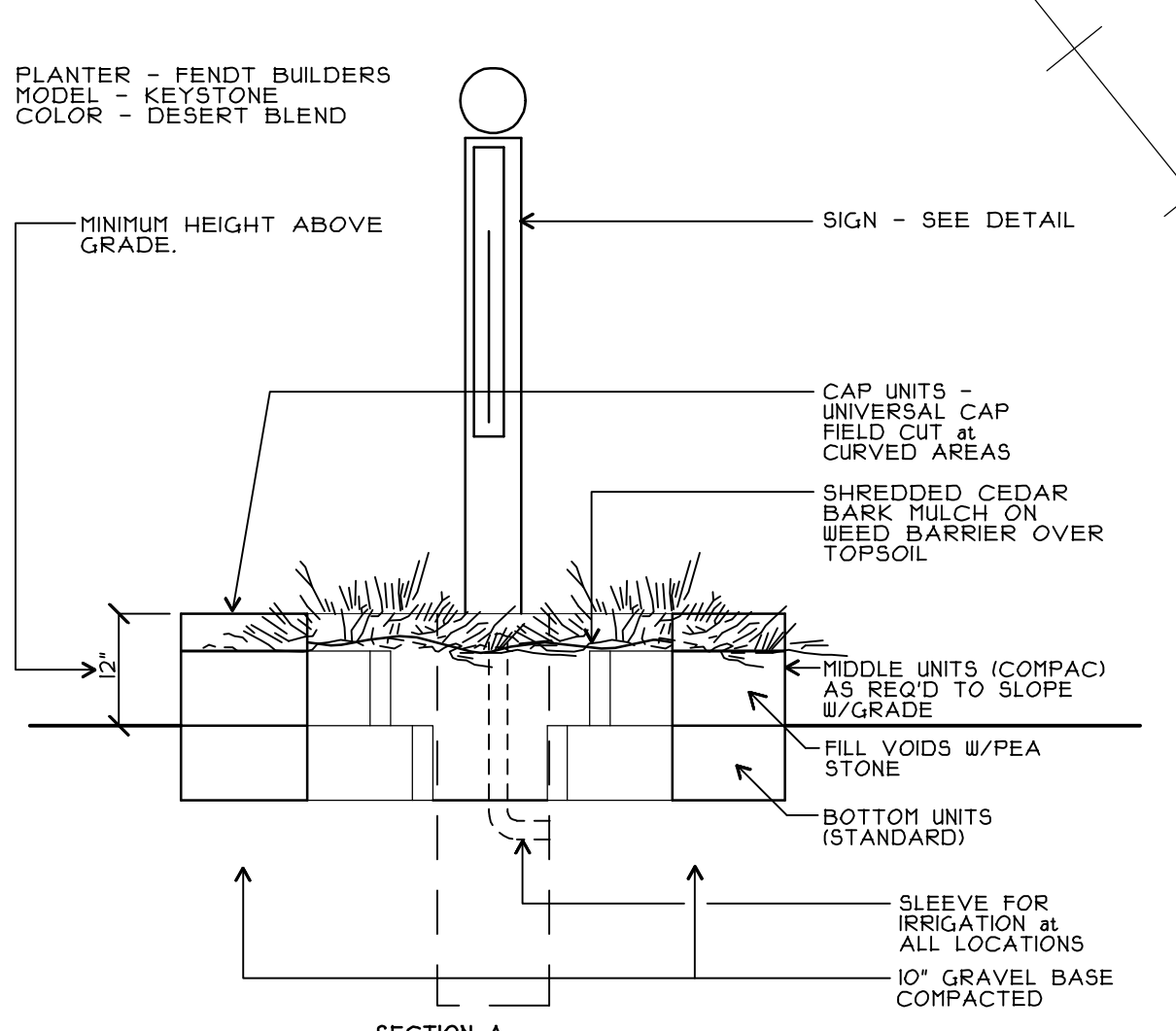


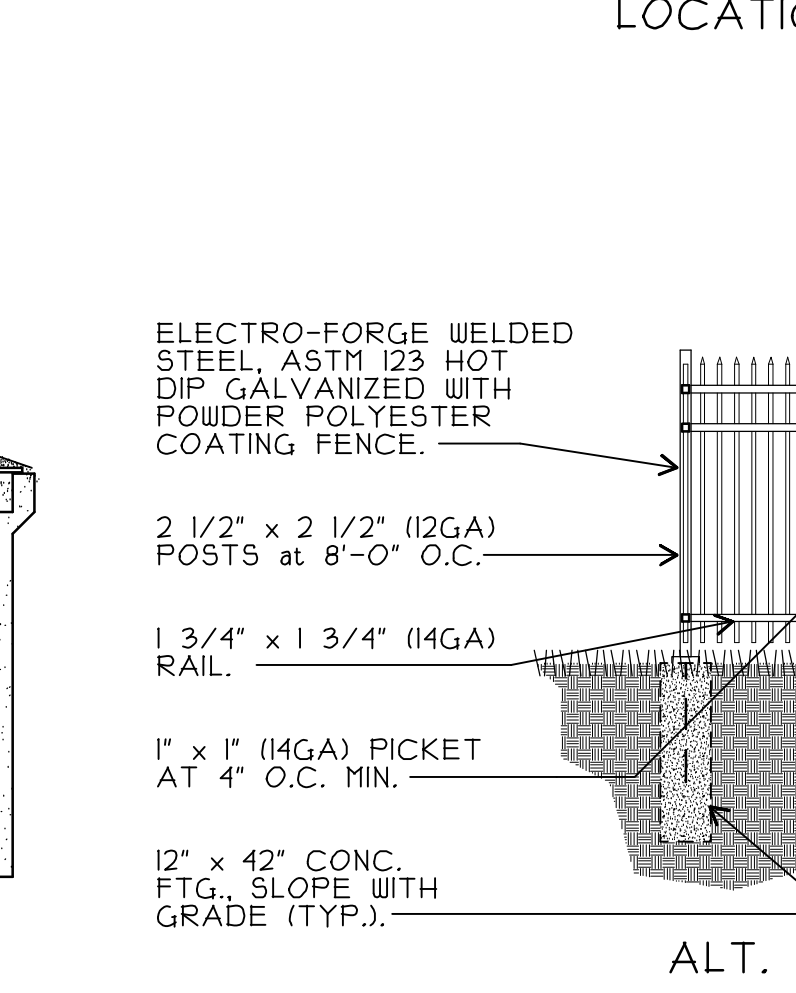
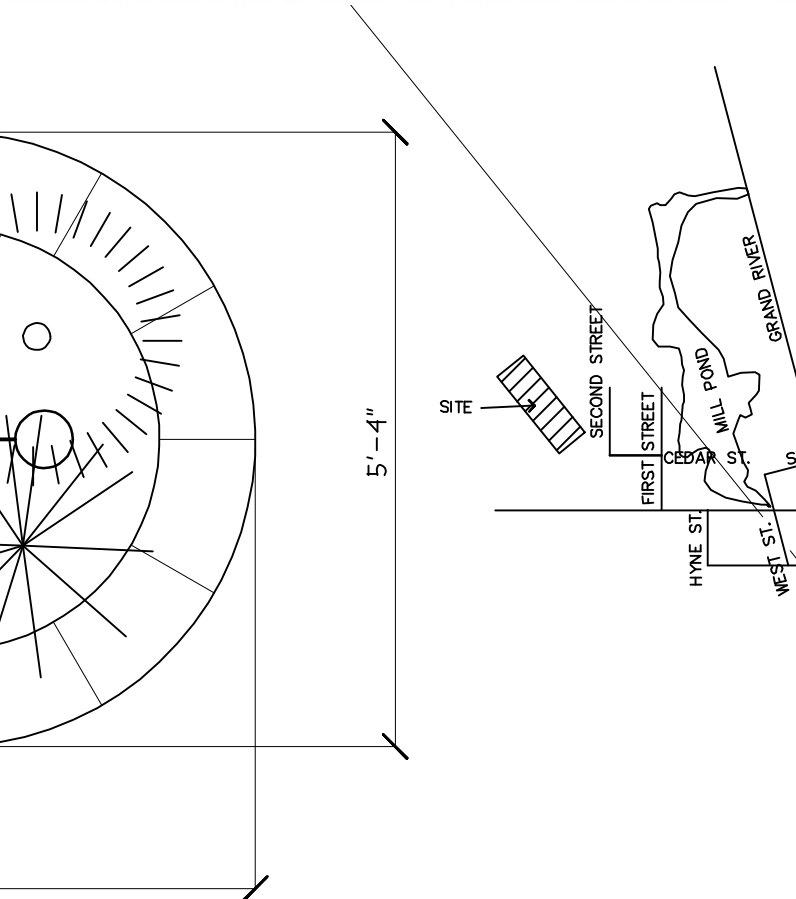
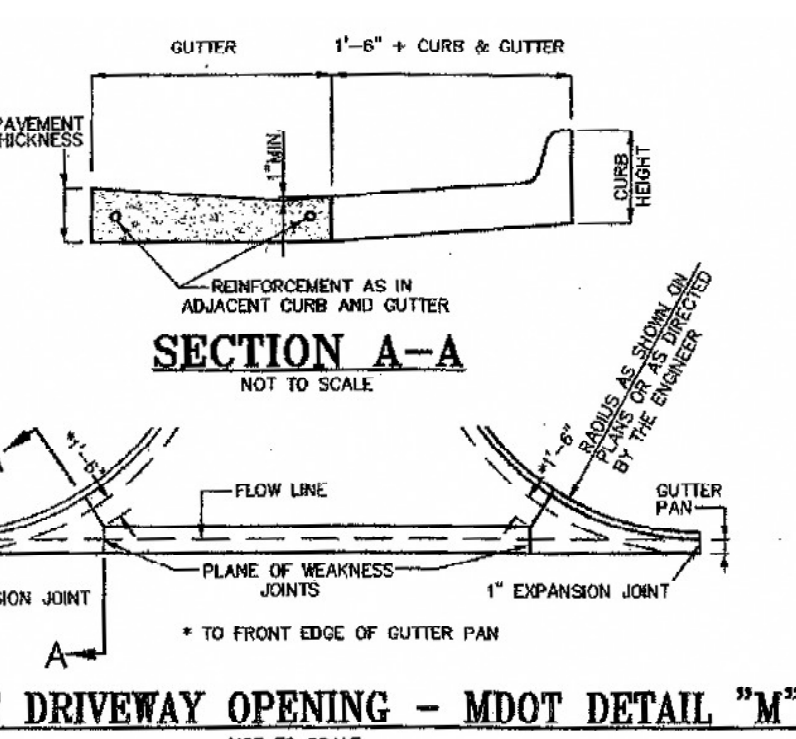
DATE PLOTTED: 4-4-2009 10:03 AM FILE LOCATION: J:\FRED\DEF\ARCHTECH\1\2\ARC.DCS5 COPYRIGHT © 2009 LINDHOUT ASSOCIATES architects pa dc THIS DOCUMENT AND THE SUBJECT MATTER CONTAINED THEREIN IS PROPRIETARY AND IS NOT TO BE USED OR REPRODUCED WITHOUT PRIOR WRITTEN APPR



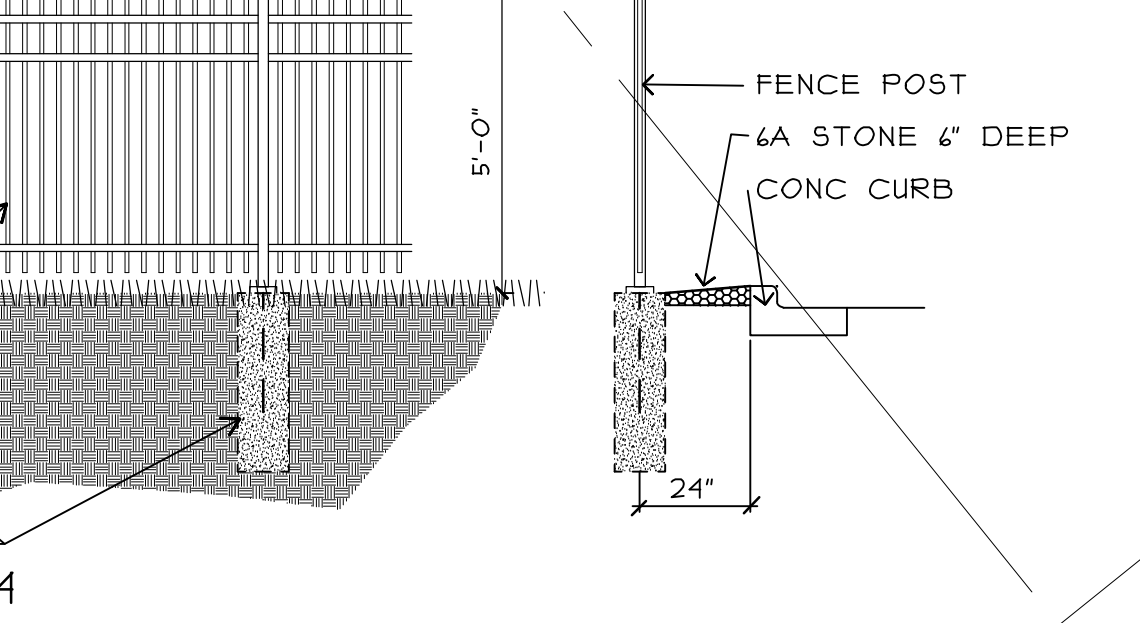
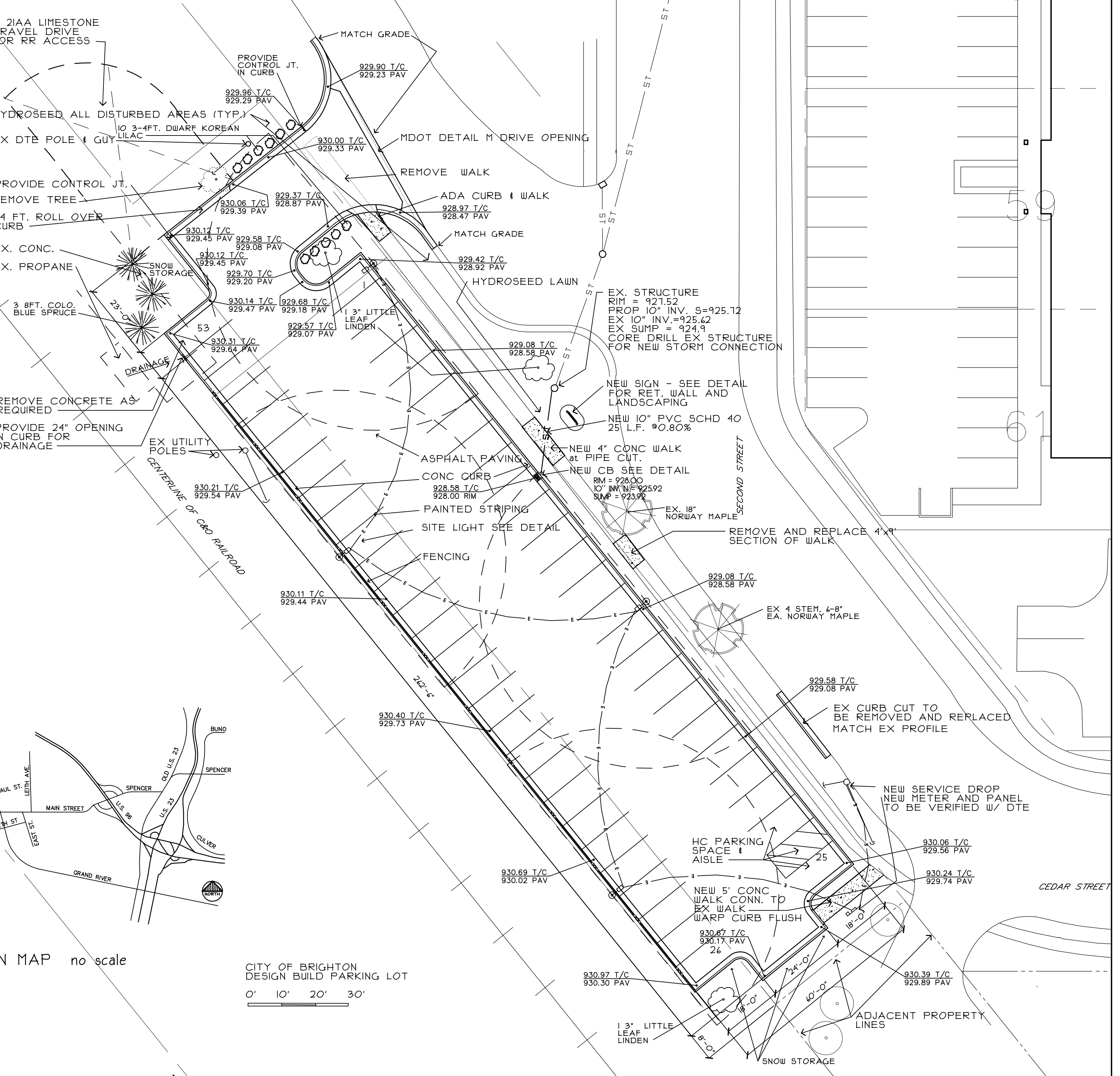
MANHOLE DETAIL



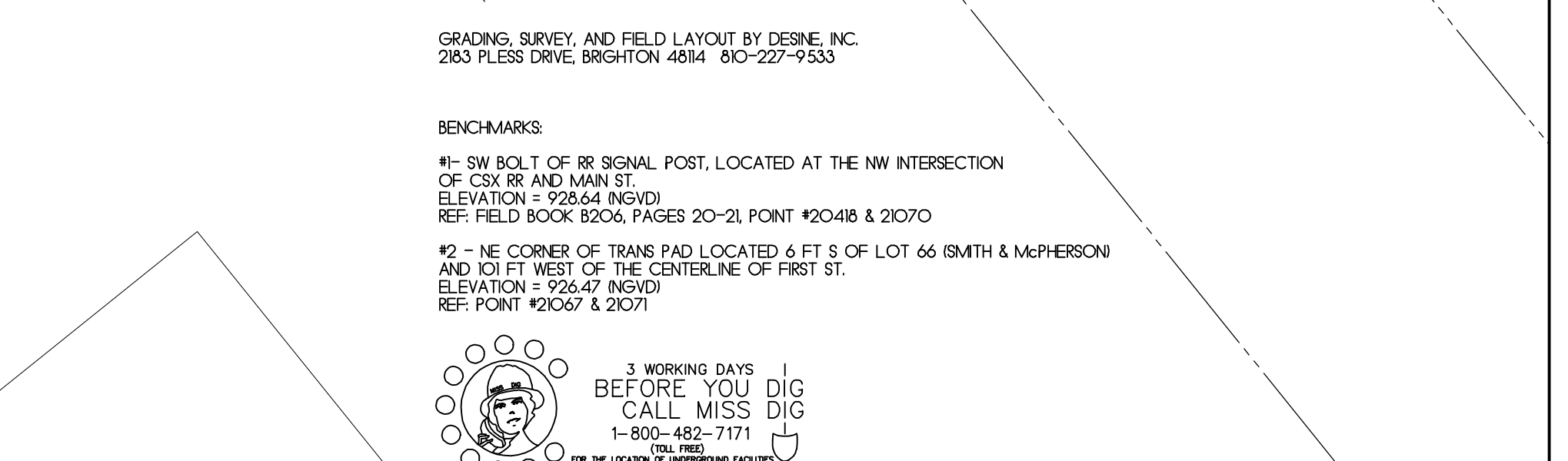
CURB INLET DETAIL



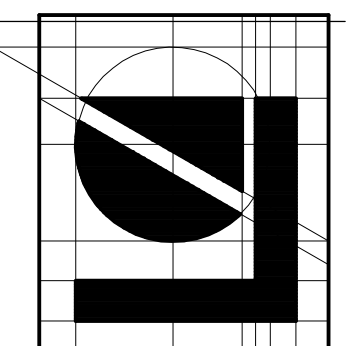
OPTIONAL FENCE DETAIL



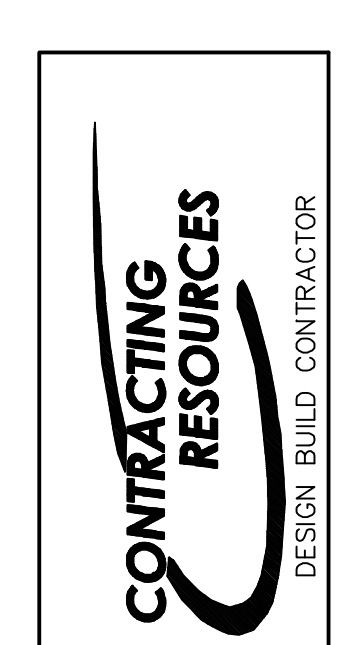
OPTIONAL FENCE DETAIL



MANHOLE DETAIL



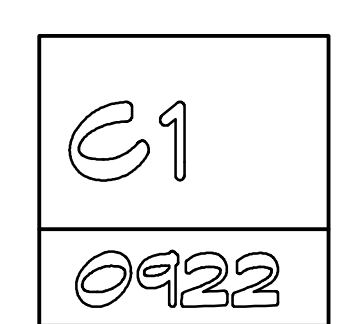
Lindhout Associates
architects aia pc
10465 citation drive, brighton, michigan 48116-9510
www.lindhout.com (810)227-5668 fax: (810)227-5855



CONTRACTING RESOURCES
DESIGN BUILD CONTRACTOR

| | |
|-----------------------------------|---------|
| FINAL CONSTRUCTION ISSUE DOCUMENT | 5-01-09 |
| COB REVISIONS - for review | 4-15-09 |
| CRI REVISIONS | 3-5-09 |
| CRI USE | 3-4-09 |
| issued for | date |

SECOND STREET PARKING LOT FOR:
CITY OF BRIGHTON
BRIGHTON, MICHIGAN
PLAN & DETAILS



0922